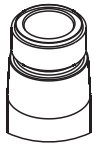


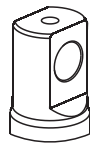
CLAMP ARMS

for swing clamp cylinders, standard variants and blanks

Clamp arm fixture:



Taper (SPK)



Pendulum (SPP)



Clevis (SPG)

Which clamp arm for which swing clamp cylinder?

Note the information about the clamp arm holder and the effective clamping force depending from operating pressure on the data sheet of the selected swing clamp cylinder.

Swing clamp cylinder housing design:	data sheet:	webcode:	suitable clamp arms:
B	240-1	024001	A B
D	240-3	024003	A B
D	240-4	024004	A B
A	240-10	024010	C D E F
A	240-20	024020	C D E G H
B / C	240-30	024030	C D E F
F	240-40	024040	C D E F
D	240-50	024050	C D E F
E	240-60	024060	C D E F

Application of special clamp arms:

To dimension special clamp arms it is important to keep with the clamping force, indicated on the data sheet of the selected swing clamp cylinder. The assigned operating pressures may not be exceeded. Once the length of standard clamp arms is to be exceeded, operating pressure and volume flow have to be reduced according to the data in the diagram on the data sheet.

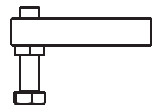
Assembly and disassembly of clamp arms:

During assembly of the clamp arms, always pay attention to not transfer torques to the piston rod. To do so, counter-hold the clamp arm when tightening or loosening the fastening screw.



Webcode: 024000

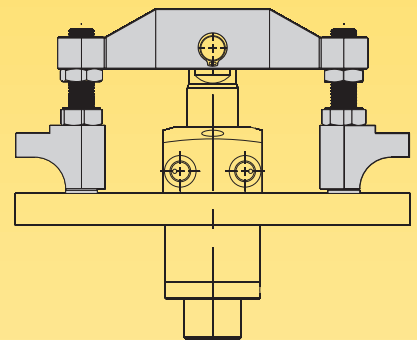
We also design and manufacture special clamp arms



Additional important information:

in our catalog or at www.hydrokomp.de

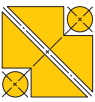
- Swing clamp cylinders selection guide
- Swing clamp cylinders safety instructions



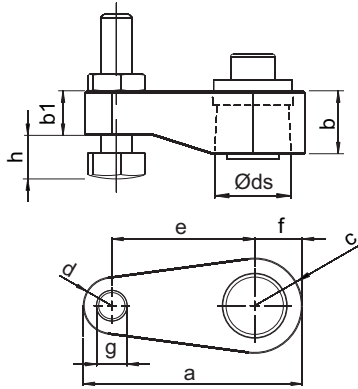
Application example double clamp arm



Siemensstraße 16, 35325 Mücke (Germany)
 Phone: +49 6401 225999-0
 Fax: +49 6401 225999-50
 E-mail: info@hydrokomp.de
 Internet: www.hydrokomp.de

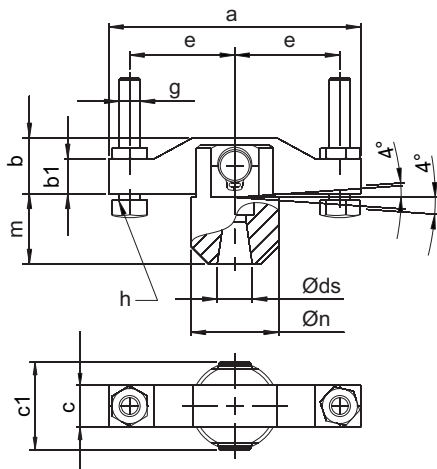


Clamp arms for swing clamp cylinders



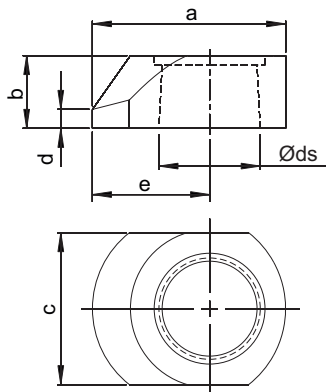
A Clamp arm for taper, p_{max.} 350 bar

for piston Ø	[mm]	14
piston rod Ø _{ds}	[mm]	10
a	[mm]	42
b	[mm]	12
b1	[mm]	8
c	[mm]	10
d	[mm]	6
e	[mm]	26
f	[mm]	10
g		M6
h _{min.}	[mm]	3,5
h _{max.}	[mm]	40
Weight	[kg]	0,05
Order No.		SPK-A10-026-002



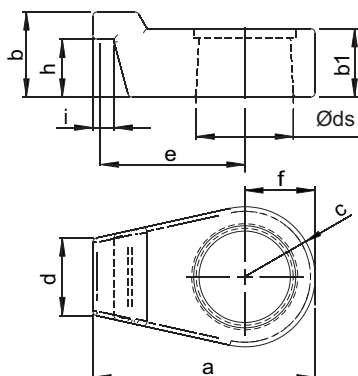
B Double clamp arm for taper, p_{max.} 350 bar

for piston Ø	[mm]	14
piston rod Ø _{ds}	[mm]	10
a	[mm]	72
b	[mm]	16
b1	[mm]	10
c	[mm]	12
c1	[mm]	25
e	[mm]	30
g		M6
h _{min.}	[mm]	3,5
h _{max.}	[mm]	40
m	[mm]	20
Ø _n	[mm]	25
Weight	[kg]	0,18
Order no.		SPK-B10-030-002



C Clamp arm for taper, p_{max.} 500 bar

for piston Ø	[mm]	25	40	50	63
piston rod Ø _{ds}	[mm]	20	32	40	50
a	[mm]	41	61	76	90
b	[mm]	16	23	28	34
c	[mm]	32	48	60	78
d	[mm]	6	6	11	14
e	[mm]	25	37	45	52
Weight	[kg]	0,08	0,23	0,5	0,88
Order no.	SPK...	-C20-025-001	-C32-037-001	-C40-045-001	-C50-052-001

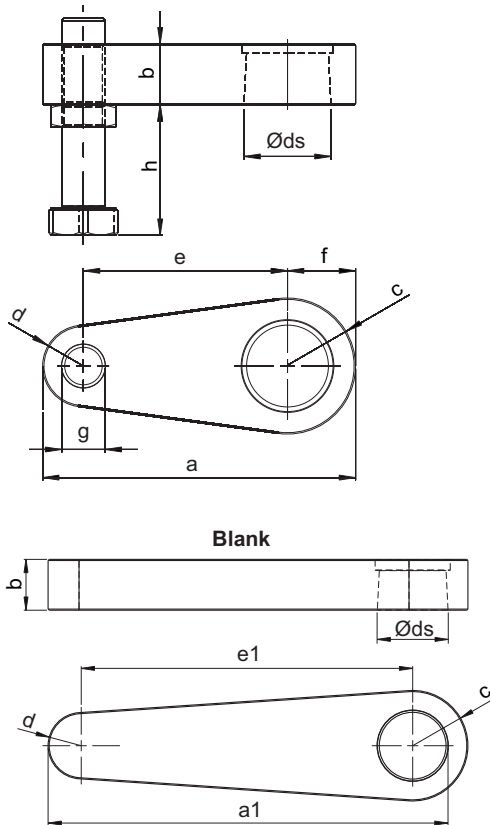


D Clamp arm for taper, p_{max.} 300 bar

for piston Ø	[mm]	25	40	50	63
piston rod Ø _{ds}	[mm]	20	32	40	50
a	[mm]	51,5	76	100	123
b	[mm]	21	28	34	40
b1	[mm]	15,5	22,5	28	34
c	[mm]	16	23	33	37,5
d	[mm]	14	25	39	39
e	[mm]	33,5	50	64	82,5
f	[mm]	16	23	33	37,5
h	[mm]	14,5	19	23	27
i	[mm]	7	7	7	8
Weight	[kg]	0,11	0,3	0,84	1,3
Order no.	SPK...	-D20-033-001	-D32-050-001	-D40-064-001	-D50-082-001



Clamp arms for swing clamp cylinders



E Clamp arm for taper, p_{max.} 200 bar

		25	40	50	63
for piston Ø	[mm]	25	40	50	63
piston rod Øds	[mm]	20	32	40	50
a	[mm]	75	115	140	178
a1	[mm]	125	190	235	298
b	[mm]	16	23	28	34
c	[mm]	16	25	30	39
d	[mm]	9	15	15	19
e	[mm]	50	75	95	120
e1	[mm]	100	150	190	240
f	[mm]	16	25	30	40
g		M10	M16	M16	M20
hmin.	[mm]	10	15	15	19
hmax.	[mm]	64	79	79	98

without thread

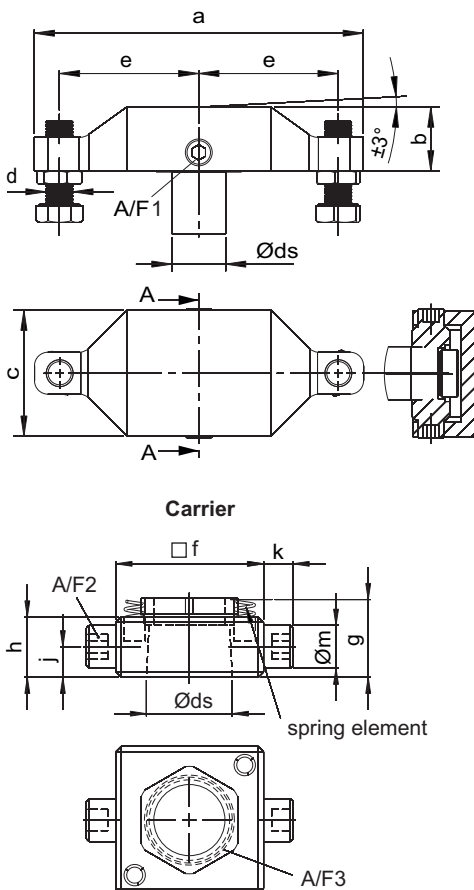
Weight	[kg]	0,18	0,65	1,85	2,3
Order no.	SPK...	-E20-050-001	-E32-075-001	-E40-095-001	-E50-120-001

with thread and contact bolt

Weight	[kg]	0,2	0,7	2	2,55
Order no.	SPK...	-E20-050-002	-E32-075-002	-E40-095-002	-E50-120-002

Blanks without contact bolt

Weight	[kg]	0,34	1,19	2,01	4,01
Order no.	SPK...	-E20-100-003	-E32-150-003	-E40-190-003	-E50-240-003



F Double clamp arm for taper, p_{max.} 500 bar

		25	40	50	63
for piston Ø	[mm]	25	40	50	63
piston rod Øds	[mm]	20	32	40	50
a	[mm]	138	196	216	236
b	[mm]	28,5	38	47	56
c	[mm]	59	75	85	105
d		M10	M16	M16	M20
e	[mm]	60	83	92	100
f	[mm]	43	55	63	77
g	[mm]	21,5	29	35	41
h	[mm]	16	23	28	34
j	[mm]	7,5	11	15	17
k	[mm]	9	11	12	15
Øm	[mm]	10	16	18	20
A/F1	[mm]	17	24	24	30
A/F2	[mm]	5	8	8	8
A/F3	[mm]	30	36	55	68

Double clamp arm with contact bolt

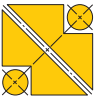
Weight	[kg]	0,83	2,11	3,17	5,24
Order no.	SPK...	-F20-060-002	-F32-083-002	-F40-092-002	-F50-100-002

Carrier with threaded bolt and spring element

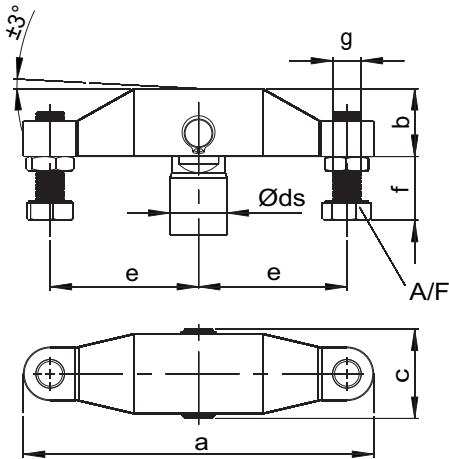
Weight	[kg]	0,32	0,45	0,53	0,68
Order no.		SPT-F20-001	SPT-F32-001	SPT-F40-001	SPT-F50-001

The carrier is included in scope of supply of the double clamping arm.
The order numbers are for ordering spare parts.

The carrier is only intended for use with taper.

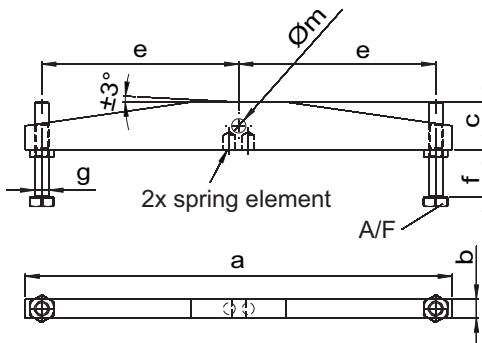


Clamp arms for swing clamp cylinders



G Double clamp arm for pendulum, $p_{max.}$ 200 bar

for piston \varnothing	[mm]	32	40
piston rod $\varnothing ds$	[mm]	20	32
a	[mm]	138	196
b	[mm]	28,5	38
c	[mm]	59	75
e	[mm]	60	83
fmin.	[mm]	10	15
fmax.	[mm]	64	79
g		M10	M16
A/F	[mm]	17	24
Weight	[kg]	0,83	2,11
Order no.		SPP-G20-060-002	SPP-G32-083-002



H Double clamp arm for clevis, $p_{max.}$ 200 bar

for piston \varnothing	[mm]	32	40
piston rod $\varnothing ds$	[mm]	20	32
a	[mm]	180	200
b	[mm]	20	30
c	[mm]	8	12
e	[mm]	83	92
fmin.	[mm]	10	15
fmax.	[mm]	64	79
g		M6	M10
$\varnothing m$	[mm]	6	10
A/F	[mm]	10	17
Weight	[kg]	0,2	0,51
Order no.		SPG-H20-083-002	SPG-H32-092-002